

| LEAD-FREE P/N | DIM A | ∅DIM B | ∅DIM C | ∅DIM D | DIM L | CABLE TYPE | IMPEDANCE |
|---------------|-------|--------|--------|--------|-------|------------------------------------|-----------|
| 71634-X11LF | 1.05 | 1.70 | 2.25 | 3.20 | 10.4 | RG178 B/U RG196 A/U | 75 Ohm |
| 71634-X21LF | 1.70 | 2.70 | 3.20 | 3.80 | 10.4 | RG174 A/U RG179 RG188 A/U RG316 /U | 75 Ohm |
| 71634-X31LF | 1.70 | 2.70 | 3.58 | 4.30 | 10.4 | RG316/U2 SHIELDED | 75 Ohm |
| 71634-X41LF | 2.20 | 3.20 | 4.10 | 5.00 | 10.4 | GPT CABLE | 75 Ohm |

- NOTES:
1. UNDERPLATING Ni.
 2. GENERAL TOLERANCE ±0.10
 3. FIXING CLIP PLATED WITH GOLD FLASH FOR IDENTIFICATION PURPOSES.

| 1 | 1.3 μm Au MIN | 1.3 μm Au MIN |
|----------------|------------------------|------------------------|
| PLATING CODE X | PLATING CONTACT AREA 3 | PLATING CONTACT AREA 4 |

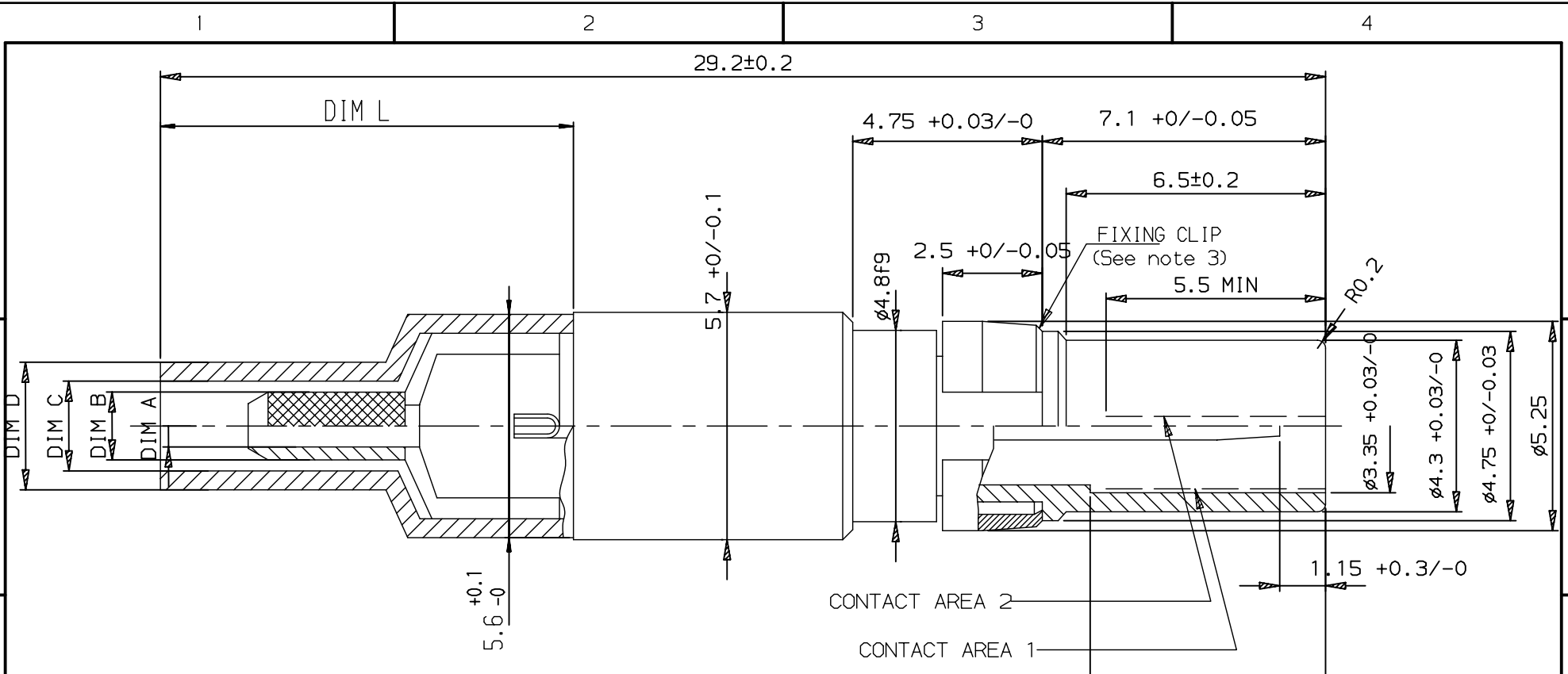
NOTE: RoHS INFORMATIONS

- The "LF" product meets European union Directives and other country regulations as described in GS-22-008.
- The product is not intended to be exposed to a manufacturing solder process.
- Packaging spec: see GS-14-920.

| rev | ecn no | dr | date |
|-----|-----------|-----|------------|
| L | LS06-0073 | LGO | 2006/11/05 |
| M | LS07-0214 | LGO | 2007/08/20 |
| N | LS08-0057 | LGO | 2008/02/18 |
| - | - | - | - |
| - | - | - | - |
| - | - | - | - |

| | | | | | |
|---------------------------------------|----------|-----------------------|-----------------------------------|-----------------|---------------|
| www.fciconnect.com | | surface ISO 1302 ✓ | tolerance std ISO 406 ISO 1101 | projection ⊕ | mm |
| TOLERANCES UNLESS OTHERWISE SPECIFIED | | | | | |
| Dr | GOISNARD | 2006/11/05 | ANGULAR | 0.X | ±0.1 |
| Eng | GOISNARD | 2006/11/05 | LINEAR | 0.XX | ±0.1 |
| Chr | LEGARE | 2006/11/05 | 0.XX' ±2' | 0.XXX | ±0.1 |
| Appr | LEGARE | 2006/11/05 | Product family | BACKPANEL | ECN LS08-0057 |
| FCj | | | | title | size |
| | | | | DIN COAX HDR | A3 |
| | | | | STR CTW INSERT | Scale 8 |
| | | | | catalog no | 8 |
| | | | | dwg no | 71634 |
| | | | | CUSTOMER | sheet 1 of 6 |
| | | | | Rev. | N |

Copyright FCj.



| LEAD-FREE P/N | DIM A | DIM B | DIM C | DIM D | DIM L | CABLE TYPE | IMPEDANCE |
|---------------|-------|-------|-------|-------|-------|--|-----------|
| 71634-X12LF | 1.05 | 1.70 | 2.25 | 3.20 | 10.4 | RG178 B/U RG196 A/U | 75 Ohm |
| 71634-X22LF | 1.70 | 2.70 | 3.20 | 3.80 | 10.4 | RG174 A/U RG179 B/U RG187 A/U RG187 A/URG316 /U | 75 Ohm |
| 71634-X32LF | 1.70 | 2.70 | 3.55 | 4.30 | 10.4 | LG10/9-19 | 75 Ohm |
| 71634-X42LF | 2.20 | 3.20 | 4.10 | 5.00 | 10.4 | GPT CABLE | 75 Ohm |

NOTES:

1. UNDERPLATING Ni.
2. GENERAL TOLERANCE ±0.10
3. FIXING CLIP PLATED WITH GOLD FLASH FOR IDENTIFICATION PURPOSES.

| | 1 | 1.3 µm Au MIN | 1.3 µm Au MIN |
|----------------|------------------------|------------------------|---------------|
| PLATING CODE X | PLATING CONTACT AREA 3 | PLATING CONTACT AREA 4 | |

NOTE: RoHS INFORMATIONS

- The "LF" product meets European union Directives and other country regulations as described in GS-22-008.
- The product is not intended to be exposed to a manufacturing solder process.
- Packaging spec: see GS-14-920.

CONTACT AREA 2

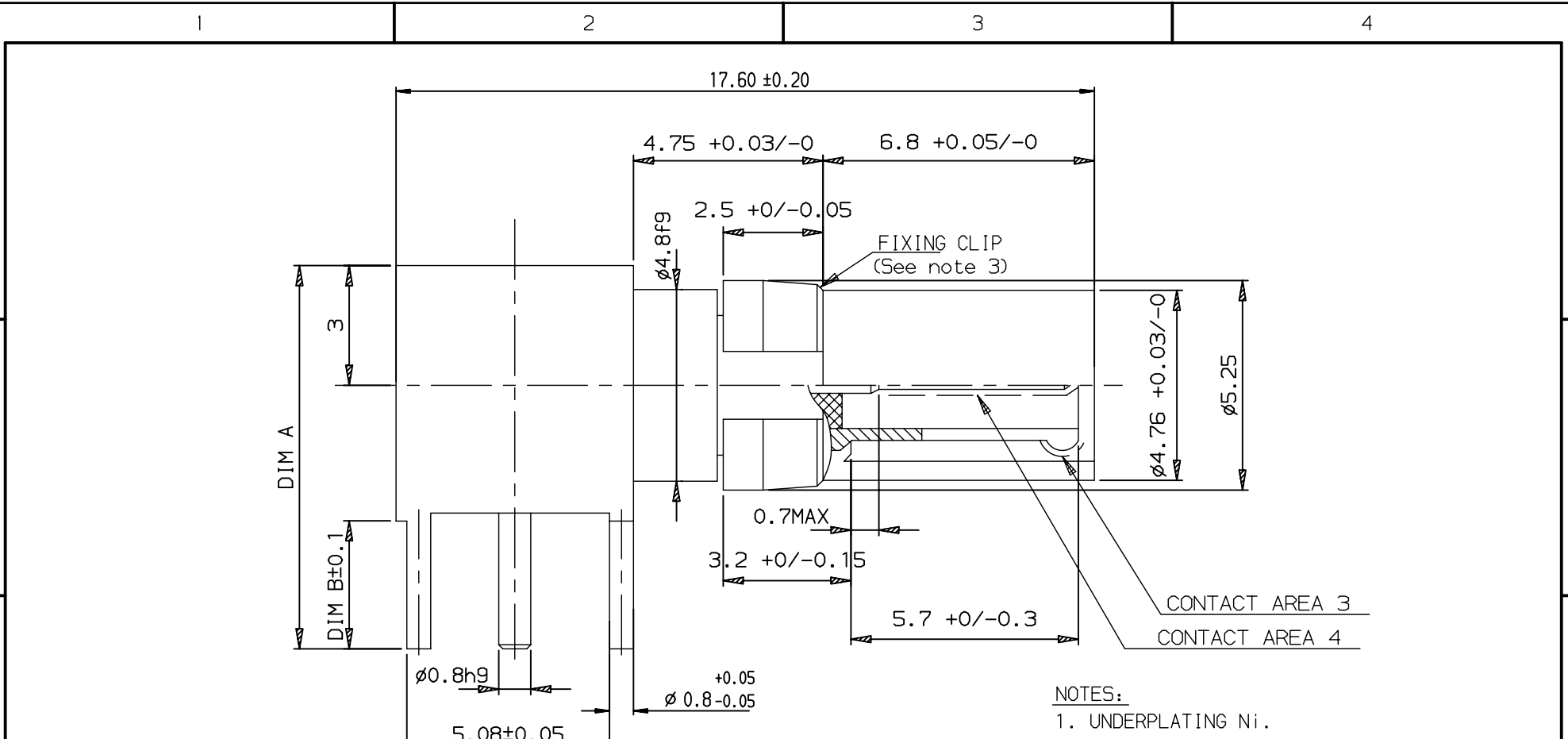
CONTACT AREA 1

European Views

| | | | | | |
|---------------------------------------|----------|---------------------------------------|-----------------------------------|------------------------|------------------|
| www.fciconnect.com | | surface ISO 1302 ✓ | tolerance std ISO 406 ISO 1101 | projection ⊕ | mm |
| TOLERANCES UNLESS OTHERWISE SPECIFIED | | | | | |
| Dr | GOISNARD | 2006/11/05 | ANGULAR | 0.X ±0.1 | size A3 Scale 8 |
| Eng | GOISNARD | 2006/11/05 | LINEAR | 0.XX ±0.1 | |
| Chr | LEGARE | 2006/11/05 | 0.XX ±2° | 0.XXX ±0.1 | ECN LS08-0057 |
| Appr | LEGARE | 2006/11/05 | Product family | BACKPANEL | Spec ref - |
| | | DIN COAX RCP STR CTW INSERT | | dwg no 71634 | Rev. N |
| catalog no | | - | | CUSTOMER | sheet 2 of 6 |

REV F - 2006-04-17

Copyright FCI.



| | | |
|----------------|------------------------|------------------------|
| 1 | 1.3 µm Au MIN | 1.3 µm Au MIN |
| PLATING CODE X | PLATING CONTACT AREA 3 | PLATING CONTACT AREA 4 |

| LEAD-FREE P/N | DIM A | DIM B | IMPEDANCE |
|---------------|-------|-------|-----------|
| 71634-X03LF | 9.6 | 3.2 | 75 Ohm |
| 71634-X13LF | 10.4 | 4.0 | 75 Ohm |

- NOTES:
1. UNDERPLATING Ni.
 2. DIMENSIONS ACCORDING TO DIN 41626
 2. GENERAL TOLERANCE ±0.10
 3. FIXING CLIP PLATED WITH GOLD FLASH

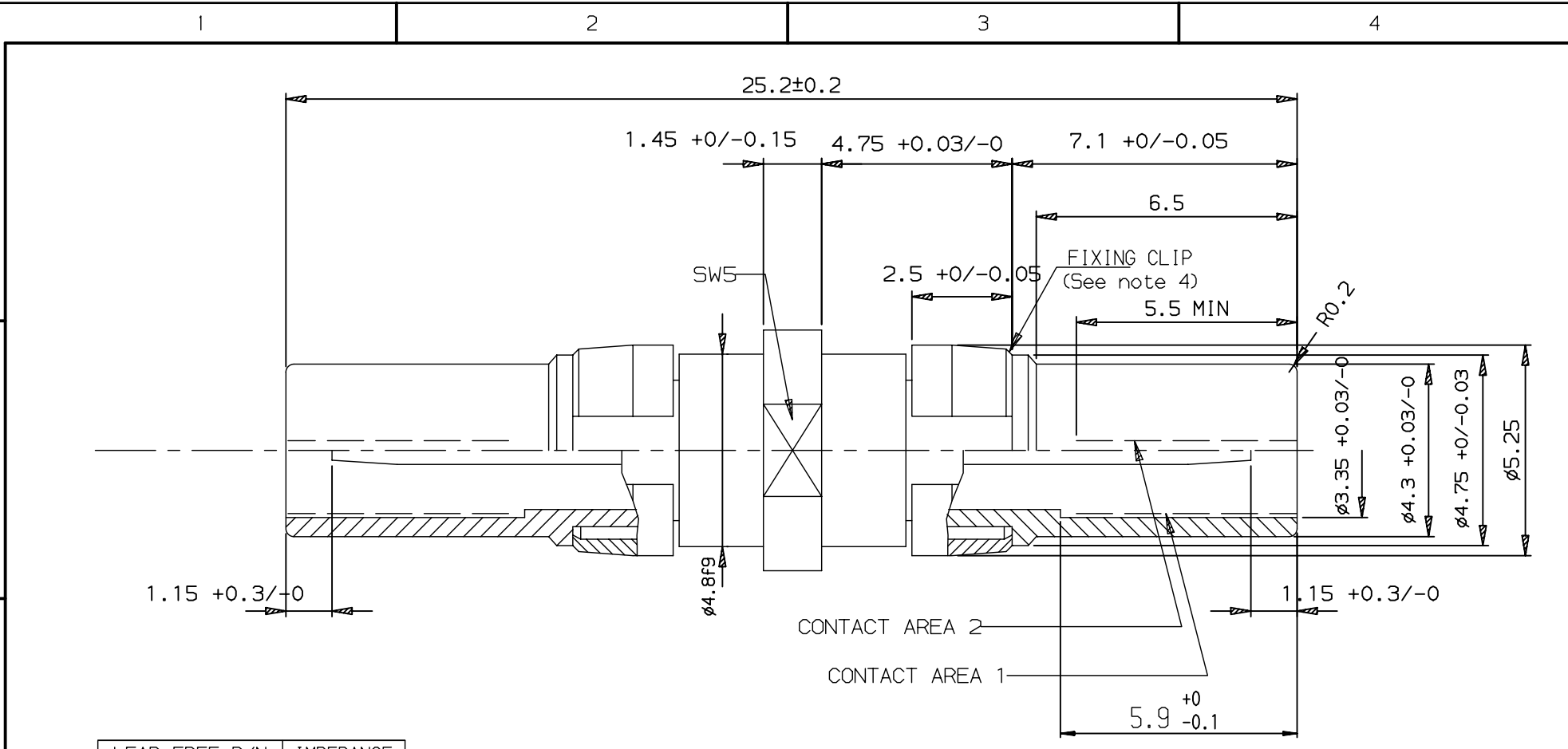
NOTE:RoHS INFORMATIONS

- The "LF" product meets European union Directives and other country regulations as described in GS-22-008.
- The product is not intended to be exposed to a manufacturing solder process.
- Packaging spec: see GS-14-920.

| | | | | |
|---------------------------------------|----------|-----------------------|-----------------------------------|------------------|
| www.fciconnect.com | | surface ISO 1302 ✓ | tolerance std ISO 406 ISO 1101 | projection mm |
| TOLERANCES UNLESS OTHERWISE SPECIFIED | | | | |
| Dr | GOISNARD | 2006/11/05 | ANGULAR | 0.X ±0.1 |
| Eng | GOISNARD | 2006/11/05 | LINEAR | 0.XX ±0.1 |
| Chr | LEGARE | 2006/11/05 | 0.XX' ±2' | 0.XXX ±0.1 |
| Appr | LEGARE | 2006/11/05 | Product family | BACKPANEL |
| | | | size | A3 |
| | | | Scale | 5 |
| | | | ECN | LS08-0057 |
| | | | Spec ref | - |
| FCj title | | DIN COAX HDR | | Rev. |
| RA STB INSERT | | 71634 | | N |
| catalog no | | CUSTOMER | | sheet 3 of 6 |

REV F - 2006-04-17

Copyright FCJ.



| | |
|---------------|-----------|
| LEAD-FREE P/N | IMPEDANCE |
| 71634-X04LF | 75 Ohm |

- NOTES:**
1. UNDERPLATING Ni.
 2. DIMENSIONS ACCORDING TO DIN 41626
 3. FIXING CLIP PLATED WITH GOLD FLASH FOR IDENTIFICATION PURPOSES.

| | | |
|----------------|------------------------|------------------------|
| 1 | 1.3 µm Au MIN | 1.3 µm Au MIN |
| PLATING CODE X | PLATING CONTACT AREA 1 | PLATING CONTACT AREA 2 |

NOTE:RoHS INFORMATIONS

- The "LF" product meets European union Directives and other country regulations as described in 6S-22-008.
- The product is not intended to be exposed to a manufacturing solder process.
- Packaging spec: see 6S-14-920.

European Views

| | | | | | | |
|---------------------------------------|----------|------------|---|-----------------------------------|----------------|-----------------|
| www.fciconnect.com | | | surface ISO 1302 <input checked="" type="checkbox"/> | tolerance std ISO 406 ISO 1101 | projection | mm |
| TOLERANCES UNLESS OTHERWISE SPECIFIED | | | | | | |
| Dr | GOISNARD | 2006/11/05 | ANGULAR | 0.X | ±0.1 | size A3 |
| Eng | GOISNARD | 2006/11/05 | | LINEAR | 0.XX | |
| Chr | LEGARE | 2006/11/05 | 0.XX' ±2' | 0.XXX | ±0.1 | Scale 5 |
| Appr | LEGARE | 2006/11/05 | Product family | BACKPANEL | | ECN LS08-0057 |
| | | | Spec ref - | | | |
| | | | title DIN COAX RCP COUPLER 75 MICRON SHORT | | | dwg no 71634 |
| catalog no | | | - | | CUSTOMER | sheet 4 of 6 |
| | | | | | | Rev. N |

REV F - 2006-04-17

1

2

3

4

A

B

C

D

A

B

C

D

32±0.2

8.4 +0/-0.1

4.75 +0.03/-0

7.1 +0/-0.05

6.5 +0/-0.1

2.5 +0/-0.05

FIXING CLIP
(See note 4)

R0.2

ø3.35 +0.03/-0

ø4.3 +0.03/-0

ø4.75 +0/-0.03

ø5.25

+0.3
2.3 -0

ø4.8f9

CONTACT AREA 2

CONTACT AREA 1

1.15 +0.3/-0

5.9 +0/-0.1

| LEAD-FREE P/N | IMPEDANCE |
|---------------|-----------|
| 71634-X05LF | 75 Ohm |

NOTES:

1. UNDERPLATING Ni.
2. DIMENSIONS ACCORDING TO DIN 41626
2. GENERAL TOLERANCE ±0.10
3. FIXING CLIP PLATED WITH GOLD FLASH FOR IDENTIFICATION PURPOSES.

| | | |
|----------------|------------------------|------------------------|
| 1 | 1.3 µm Au MIN | 1.3 µm Au MIN |
| PLATING CODE X | PLATING CONTACT AREA 1 | PLATING CONTACT AREA 2 |

NOTE:RoHS INFORMATIONS

- The "LF" product meets European union Directives and other country regulations as described in 65-22-008.
- The product is not intended to be exposed to a manufacturing solder process.
- Packaging spec: see 65-14-920.

European Views

| | | | | | |
|---------------------------------------|----------|---|-----------------------------------|-----------------|---------------|
| www.fciconnect.com | | surface ISO 1302 ✓ | tolerance std ISO 406 ISO 1101 | projection ⊕ | mm |
| TOLERANCES UNLESS OTHERWISE SPECIFIED | | | | | |
| Dr | GOISNARD | 2006/11/05 | ANGULAR | 0.X ±0.1 | size A3 |
| Eng | GOISNARD | 2006/11/05 | LINEAR | 0.XX ±0.1 | Scale 5 |
| Chr | LEGARE | 2006/11/05 | 0.XX' ±2' | 0.XXX ±0.1 | ECN LS08-0057 |
| Appr | LEGARE | 2006/11/05 | Product family | BACKPANEL | Spec ref - |
| FCj | | title DIN COAX RCP COUPLER 75 MICRON LONG | | dwg no 71634 | Rev. N |
| catalog no | | - | | CUSTOMER | sheet 5 of 6 |

REV F - 2006-04-17

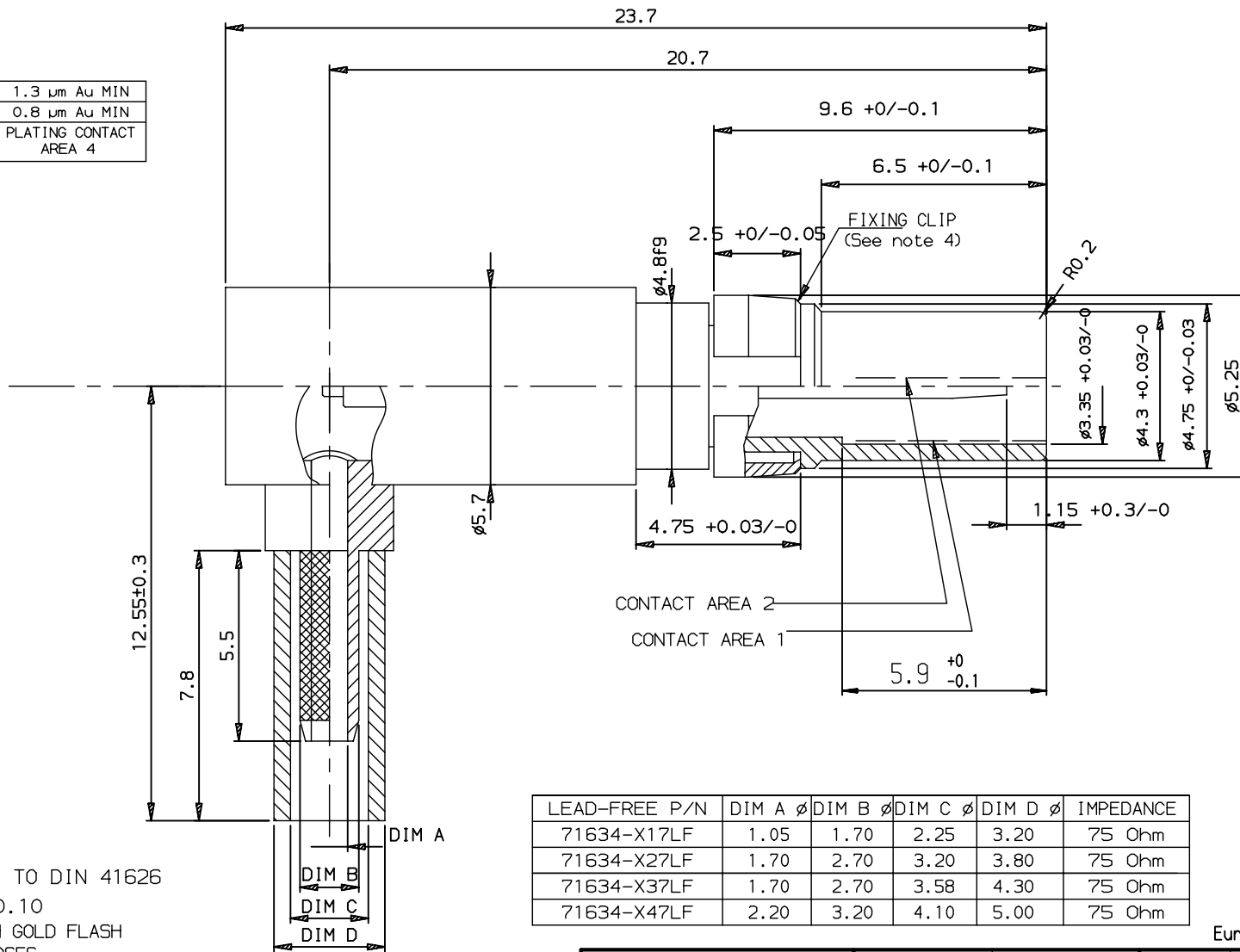
1

2

3

4

| | | |
|----------------|--------------------------|--------------------------|
| 2 | 1.3 μm Au MIN | 1.3 μm Au MIN |
| 1 | 0.8 μm Au MIN | 0.8 μm Au MIN |
| PLATING CODE X | PLATING CONTACT AREA 3 | PLATING CONTACT AREA 4 |



| LEAD-FREE P/N | DIM A ϕ | DIM B ϕ | DIM C ϕ | DIM D ϕ | IMPEDANCE |
|---------------|--------------|--------------|--------------|--------------|-----------|
| 71634-X17LF | 1.05 | 1.70 | 2.25 | 3.20 | 75 Ohm |
| 71634-X27LF | 1.70 | 2.70 | 3.20 | 3.80 | 75 Ohm |
| 71634-X37LF | 1.70 | 2.70 | 3.58 | 4.30 | 75 Ohm |
| 71634-X47LF | 2.20 | 3.20 | 4.10 | 5.00 | 75 Ohm |

NOTES:

1. UNDERPLATING Ni.
2. DIMENSIONS ACCORDING TO DIN 41626
3. GENERAL TOLERANCE ± 0.10
3. FIXING CLIP PLATED WITH GOLD FLASH FOR IDENTIFICATION PURPOSES.

NOTE:RoHS INFORMATIONS

- The "LF" product meets European union Directives and other country regulations as described in G5-22-008.
- The product is not intended to be exposed to a manufacturing solder process.
- Packaging spec: see G5-14-920.

European Views

| | | | | | |
|---------------------------------------|----------|--|----------------|-----------------------|------------|
| www.fciconnect.com | | ISO 1302 <input checked="" type="checkbox"/> | tolerance std | projection | mm |
| | | ISO 406 ISO 1101 | | | |
| TOLERANCES UNLESS OTHERWISE SPECIFIED | | | | | |
| Dr | GOISNARD | 2006/11/05 | ANGULAR | 0.X | ± 0.1 |
| Eng | GOISNARD | 2006/11/05 | LINEAR | 0.XX | ± 0.1 |
| Chr | LEGARE | 2006/11/05 | 0.XX' $\pm 2'$ | 0.XXX | ± 0.1 |
| Appr | LEGARE | 2006/11/05 | Product family | BACKPANEL | Spec ref - |
| | | title | | DIN COAX RCP | |
| | | RA CTW | | 71634 | |
| catalog no | | - | | CUSTOMER sheet 6 of 6 | |
| | | avg no | | N | |